

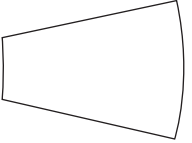

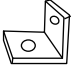
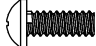
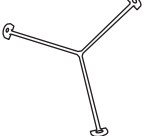
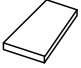

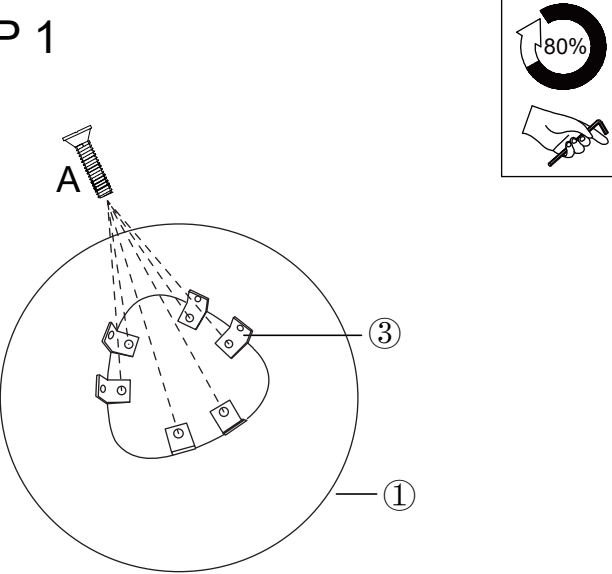


Assembly Instruction

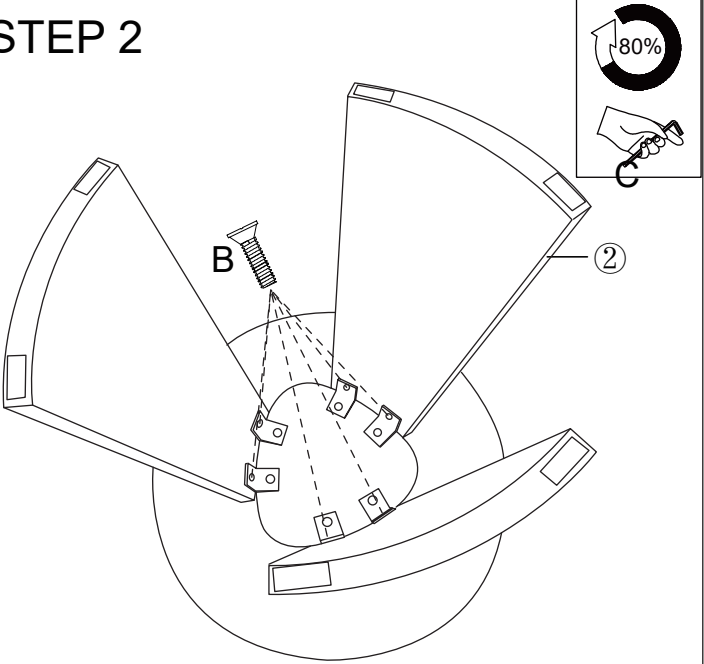
| | | | |
|--------|---|----------|--|
| ①*1pc |  | A*6+1EXT |  M6*14MM |
| ②*3pcs |  | B*6+1EXT |  M6*12MM |
| ③*6pcs |  | C*3+1EXT |  M6*10MM |
| ④*1pc |  | D*6+1EXT |  30*15*3MM |
| | | G*1 |  M4-M6 |

STEP 1



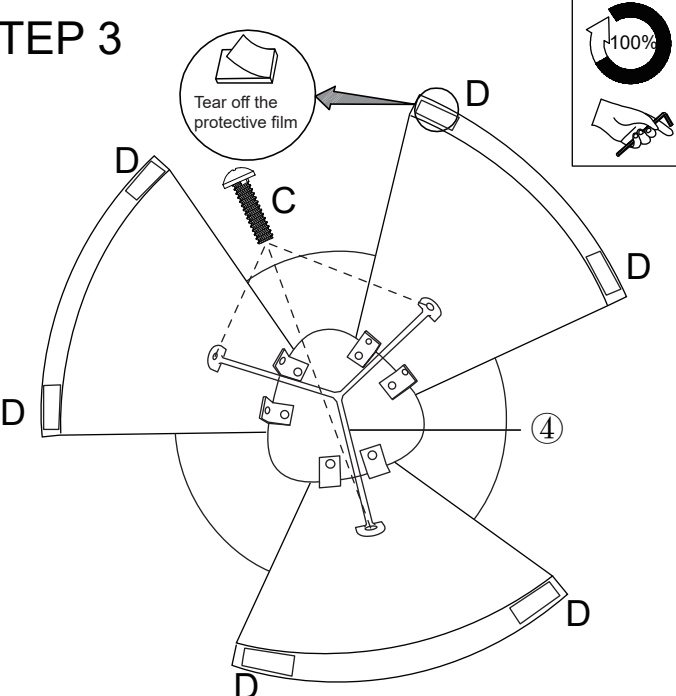
80%

STEP 2



80%

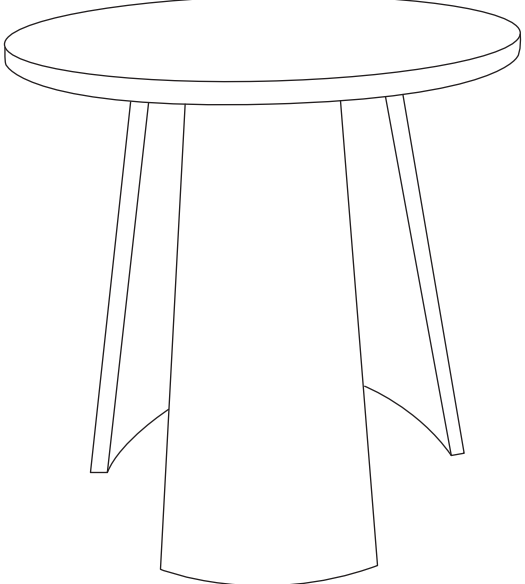
STEP 3



Tear off the protective film

100%

STEP 4



Fasten All screws indicate on Step 1& Step2.