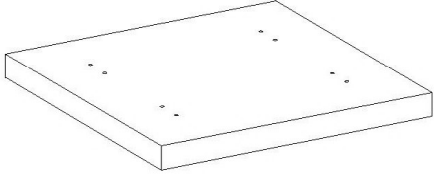


# ASSEMBLY INSTRUCTION

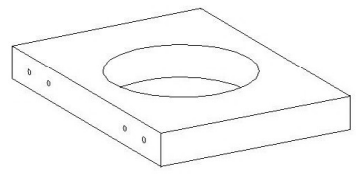
## COFFEE TABLE

### QJ-546-CT(ME)

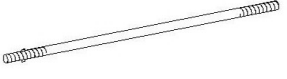
1-1x



2-2x



A-4x



B-4x



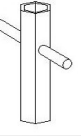
C-4x



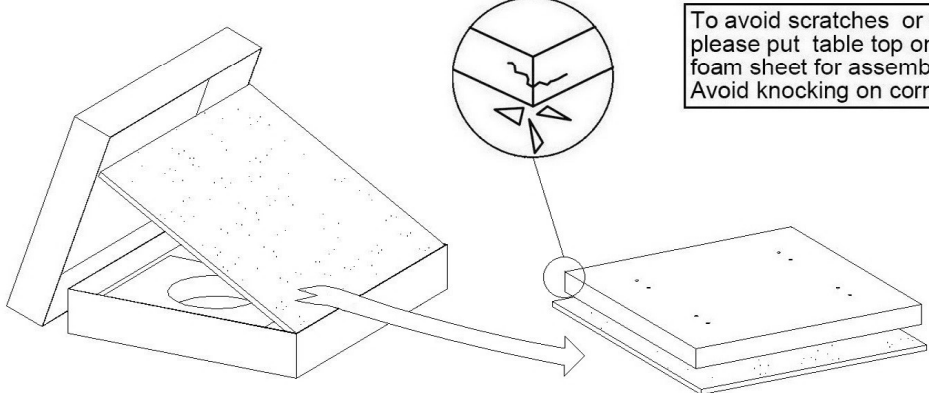
D-4x



E-1x

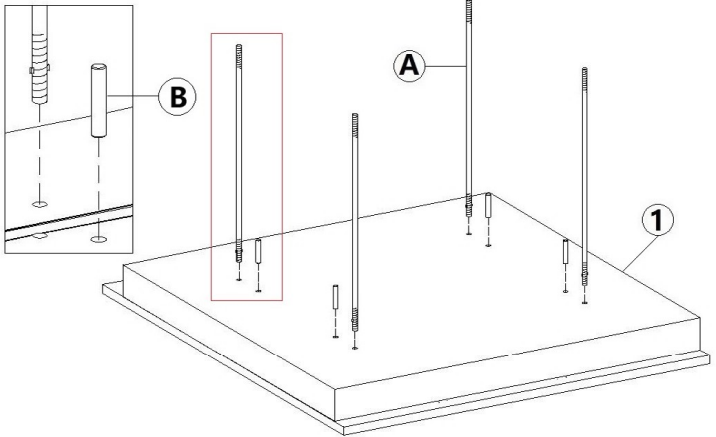


Step:1

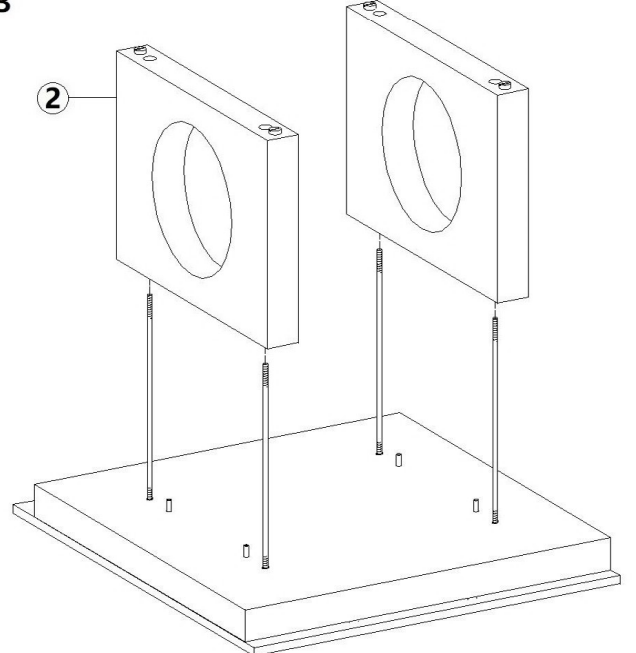


To avoid scratches or damages, please put table top on the white foam sheet for assembly works. Avoid knocking on corners or edges.

Step:2



Step:3



Step:4

Please keep all screws loose and tighten TOGETHER after all parts are assembled to the correct positons.

