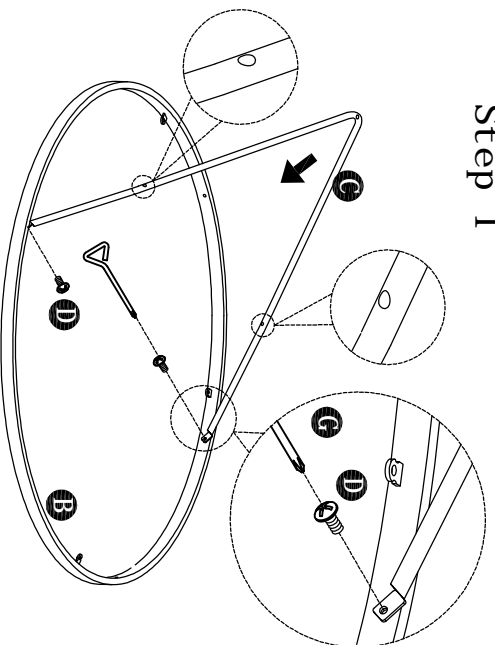
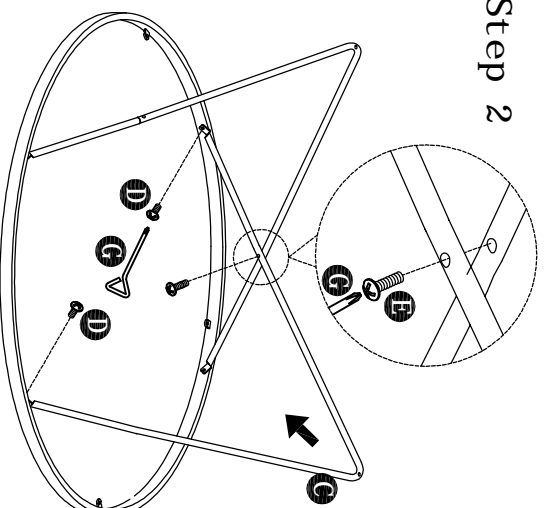


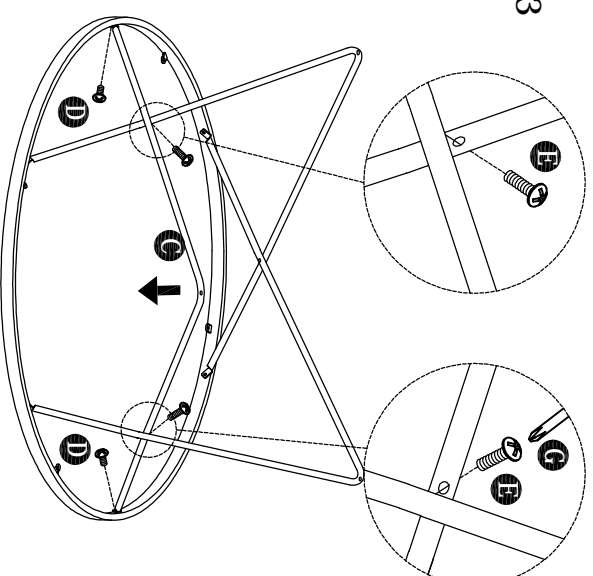
### Step 1



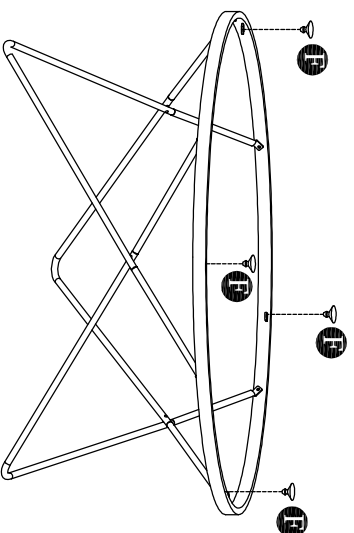
### Step 2



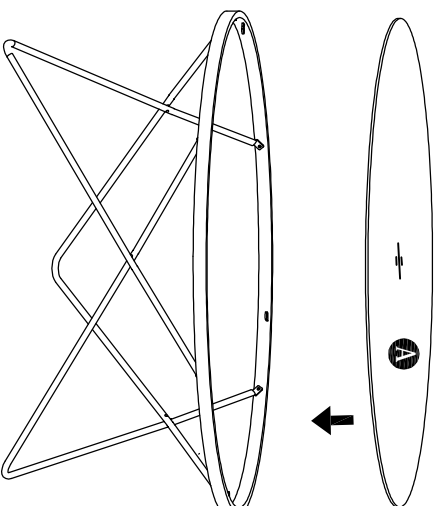
### Step 3



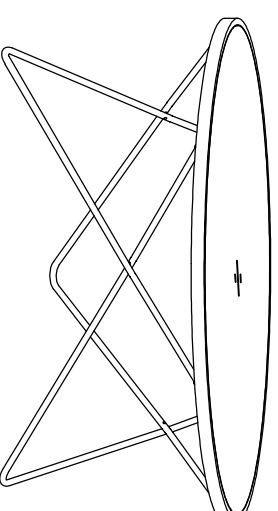
### Step 4










### Step 5



### Step 6



Please read the instruction carefully and verify that all parts listed are present before beginning assembly.  
Please do not fully tighten all bolts until you finish assembling all parts, then go back and fully tighten all bolts. This will make it easier during assembly of unit.

<b>A</b> 	<b>B</b> 	<b>C</b> 	<b>D</b> 	<b>E</b> 	<b>F</b> 	<b>G</b> 	1 pc	1 pc	3 pcs	6 pcs M5×10	3 pcs M5×20	4 pcs	1 pcs	
--	---	---	---	---	--	---	------	------	-------	----------------	----------------	-------	-------	--