

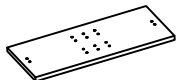
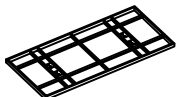

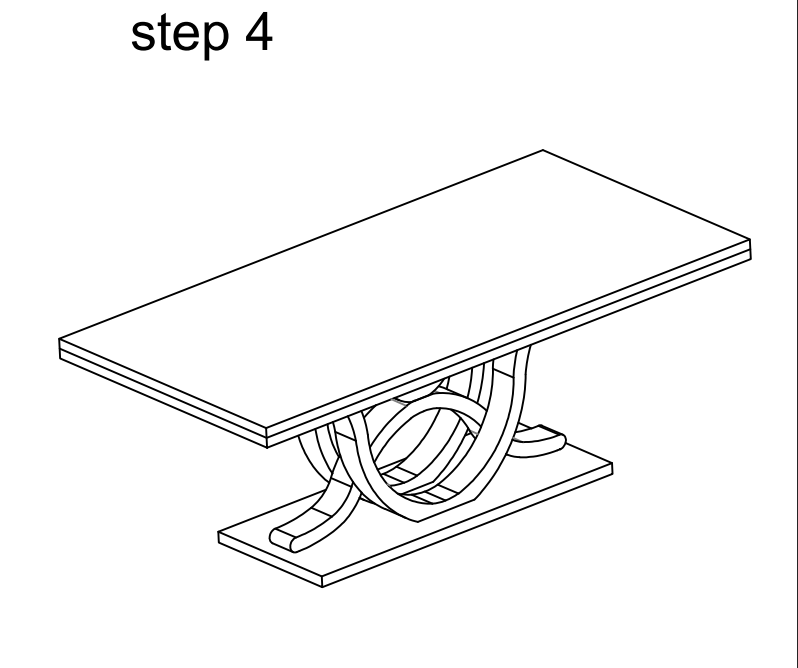
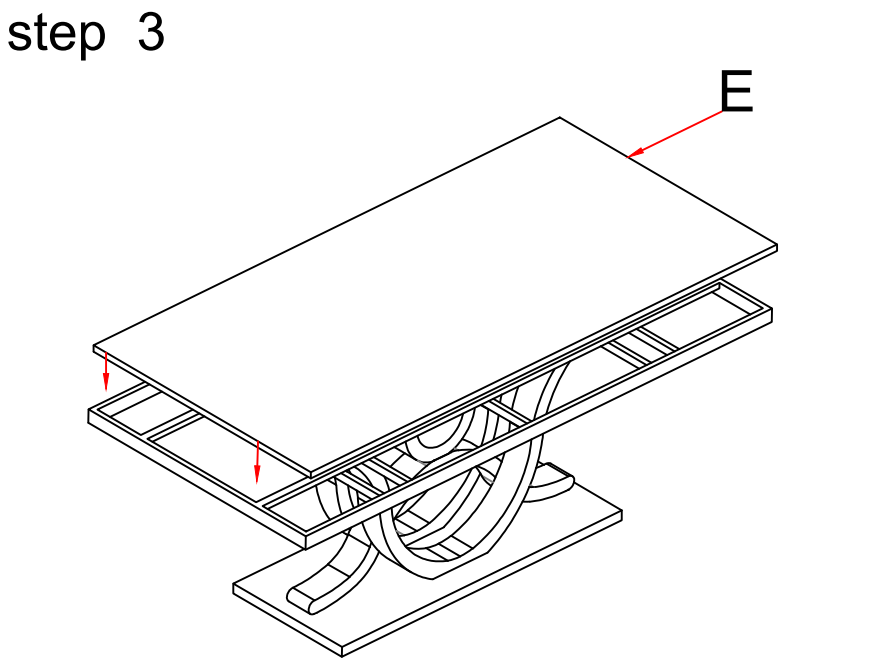
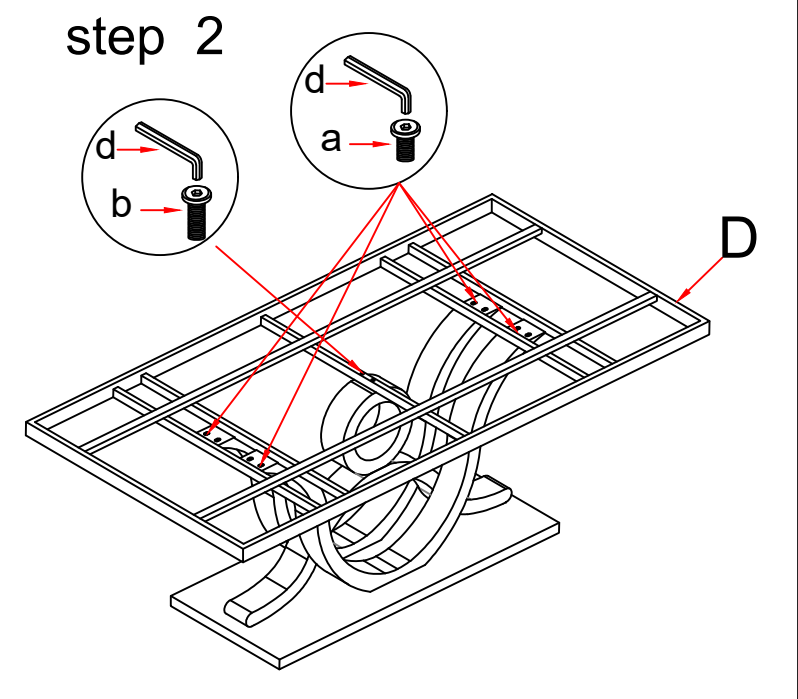
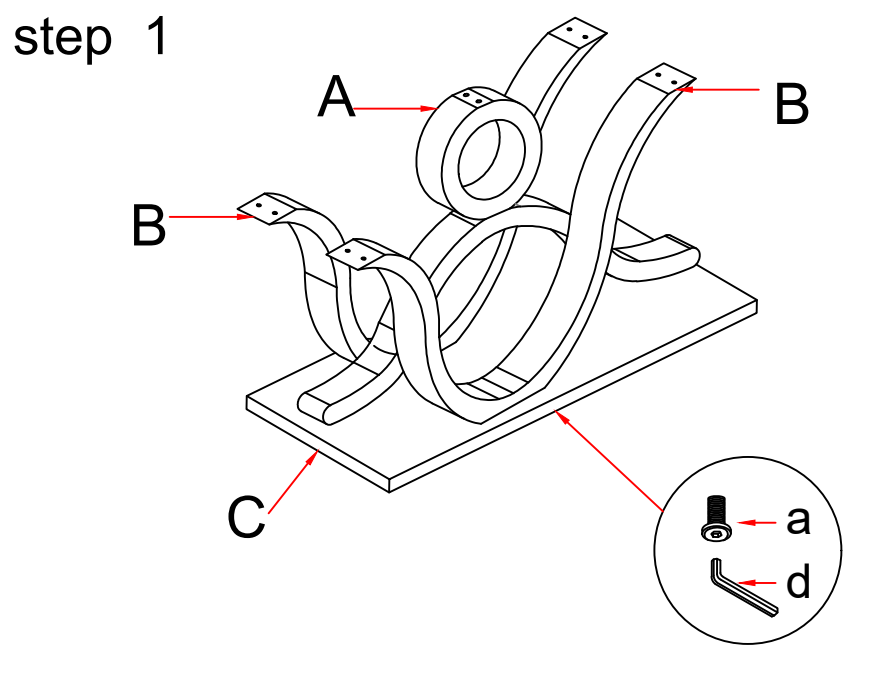





# ASSEMBLY INSTRUCTIONS

List of parts		
NO.	Description	Pcs
A		1
B		2
C		1
D		1
E		1



List of hardware			
NO.	Description	Qty	
a	 M8*25	24	
b	 M8*50	2	
c			
d		1	