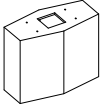
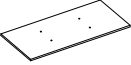
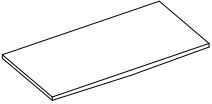
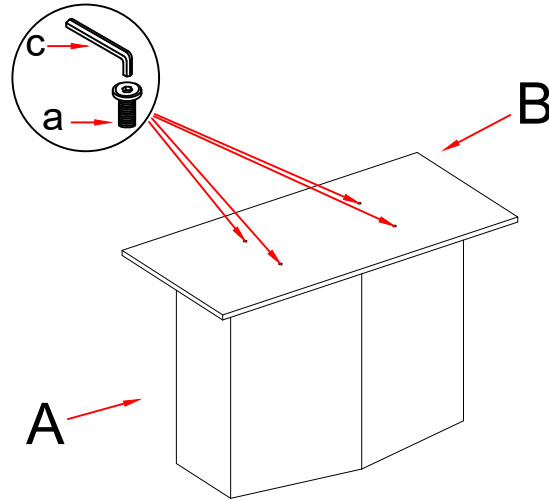


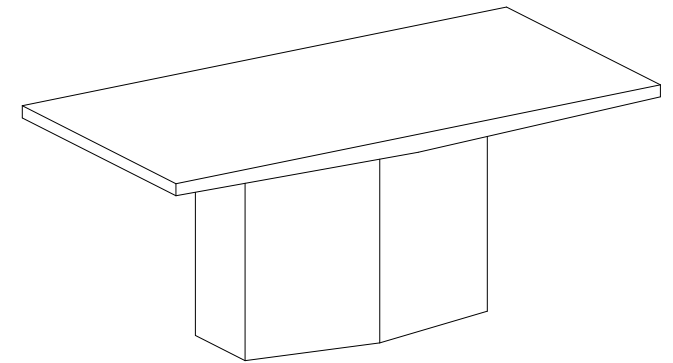
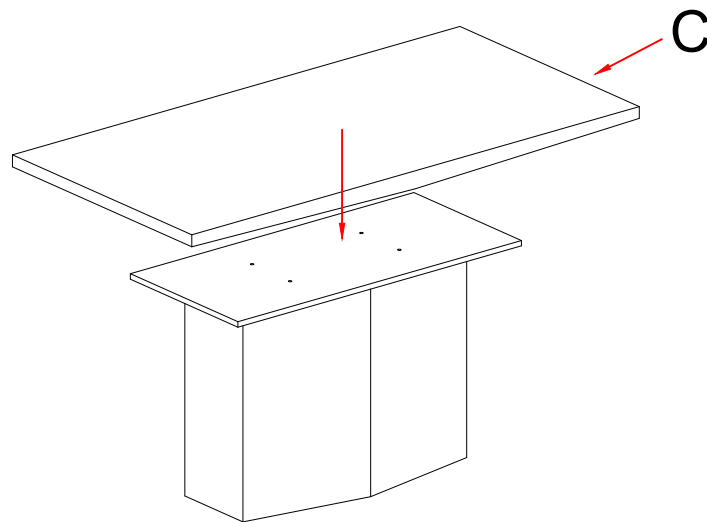
ASSEMBLY INSTRUCTIONS


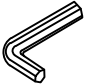
List of parts		
NO.	Description	Pcs
A		1
B		1
C		1

step 1



step 2



List of hardware			
NO.	Description	Qty	
a	 M8*35	4	
b			
c		1	
d			