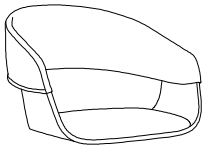
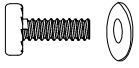
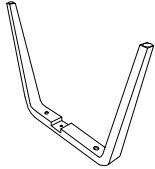

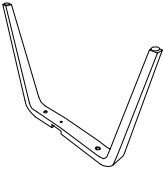

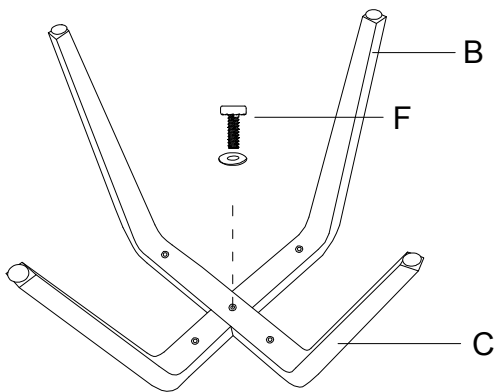
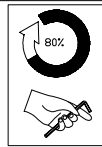


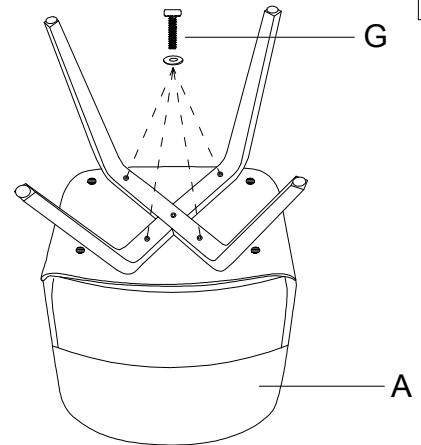
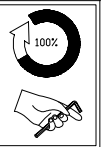
# Assmebly Instruction

A*1		F*1+1EXT	 M6*27MM+M6*16*1MM
B*1		G*4+1EXT	 M6*40MM+M6*16*1MM
C*1		L*1	 M4

STEP 1



STEP 2



STEP 3

