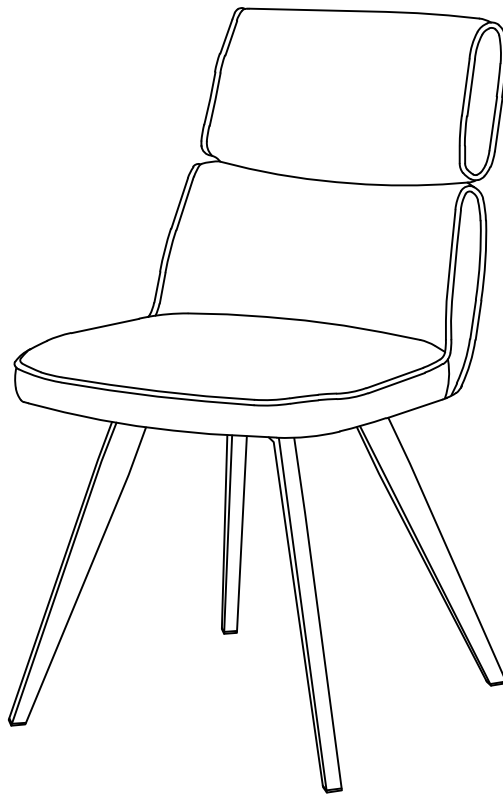


# USER MANUAL



Retain these instructions for future reference.

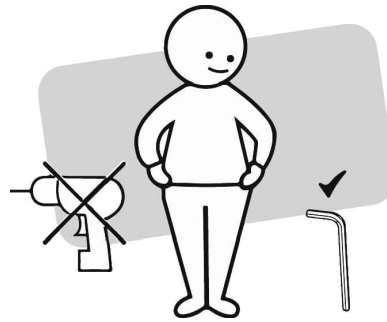


Do not discard any of the packaging until you have checked that you have all the parts and the pack of fixings.

## ASSEMBLY CHECKLIST



Read through the instructions carefully before you begin.



Make sure you have all the required tools. Never use power tools unless instructed.



Identify and lay out all of the components before assembling.



Unless instructed, do not fully tighten screws until the item is fully assembly.



**WARNING! TO REDUCE THE RISK OF SERIOUS INJURY, READ THE FOLLOWING SAFETY INSTRUCTIONS BEFORE ASSEMBLING AND USING THE PRODUCT.**

Please read and understand this entire manual before attempting to assemble, operate, or install the product.

Any assembly or maintenance of the product must be carried out by adults only.

Some parts may contain sharp edges. Wear protective gloves if necessary.

To prevent damage, place all parts on a level surface during assembly. Add a layer of protective surface if needed.

Due to the nature of steel, surface oxidation (rusting) will occur if this protective coating is scratched. This is a natural process. To minimize this condition, it is recommended that care be taken when assembling and handling the product in order to prevent the paint from being scratched.

## TOOLS REQUIRED



**NOTE:**

To avoid damage, ensure screws are hand tightened.

**DO NOT USE POWER TOOLS TO ASSEMBLE YOUR UNIT.**



**1 person**

**NOTE:**

Philips head screw driver is required in the assembly process. However, manufacturer does not provide this item. Quantities shown are for one chair.

# ASSEMBLY INSTRUCTIONS

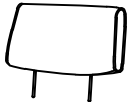


## ASSEMBLY TIPS:

1. Remove hardware from box and sort by size.
2. Please check to see that all hardware and parts are present prior to start of assembly.
3. Please follow attached instructions in the same sequence as numbered to assure fast & easy assembly.




## WARNING!

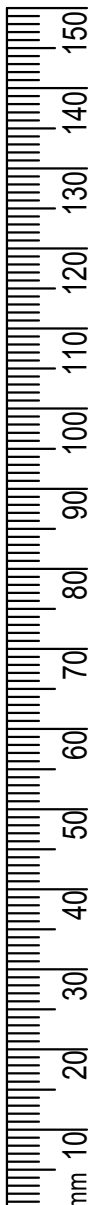
1. Don't attempt to repair or modify parts that are broken or defective. Please contact the seller immediately.
2. This product is for home use only and not intended for commercial establishments.

## PARTS CHECKLIST

① BACKREST		1pc
② SEAT CUSHION		1pc
③ METAL BASE		1pc

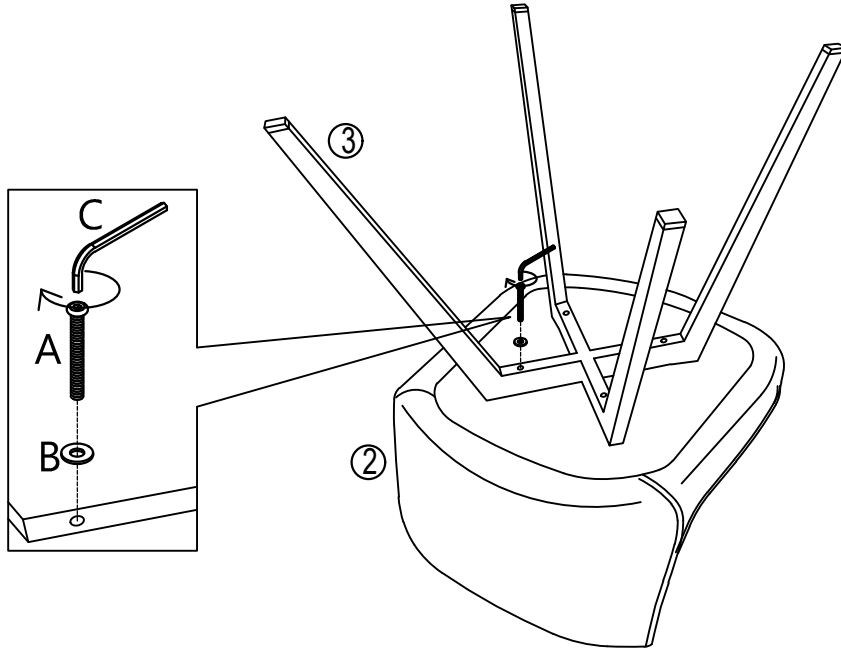
## HARDWARE IDENTIFICATION



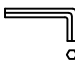
A	Bolt (M6x65mm)		4pcs
B	Washer (M6)		4pcs
C	Allen Key 5# (M6)		1pc



# ASSEMBLY INSTRUCTIONS

## Step 1



You will need		
		
4 x (A)	4 x (B)	1 x (C)

## Step 2



## CARING FOR YOUR ITEM

---

- 1 Wipe clean with a dry cloth for the upholstery and frame. Do not use bleach, acid or other abrasive cleaners.
- 2 Do not stand or step on this chair.
- 3 Do not sit on the front edge of the chair. Use for seating only one person at one time.
- 4 Do not use this chair until all bolts, screws and knobs are firmly secured.
- 5 Do not exceed maximum weight capacity of 265 lb (120 kg).
- 6 This product is intended for domestic indoor use only. Avoid direct contact with sunlight.