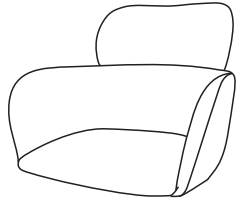


Assembly Instruction

ITEM NO:JY6022

1*1

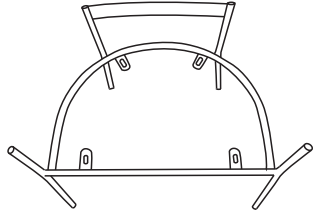


A*4+1EXT



M6*18MM

2*1

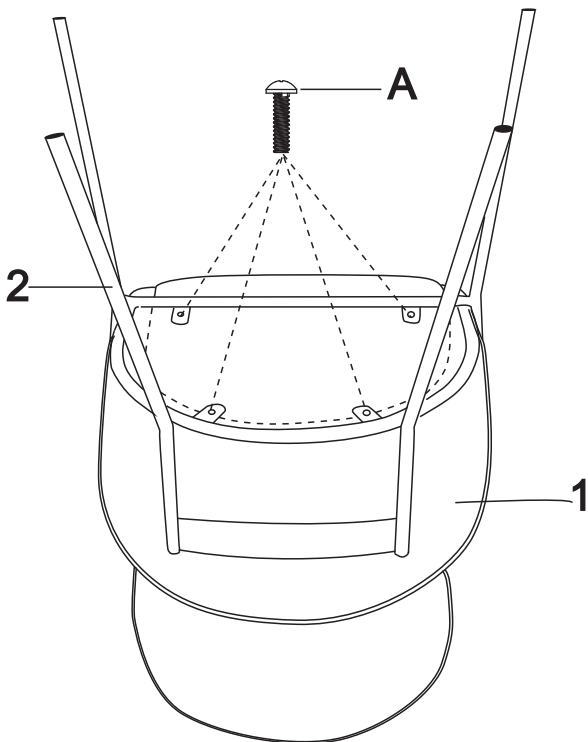


G*1



M6

STEP 1



STEP 2

