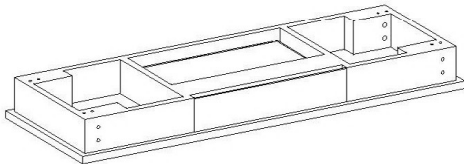


ASSEMBLY INSTRUCTION

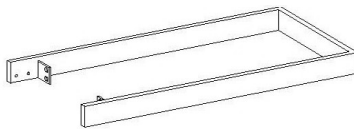
CONSOLE TABLE

QJ-528-CNT

1-1x



2-2x



A-8x



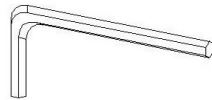
B-8x



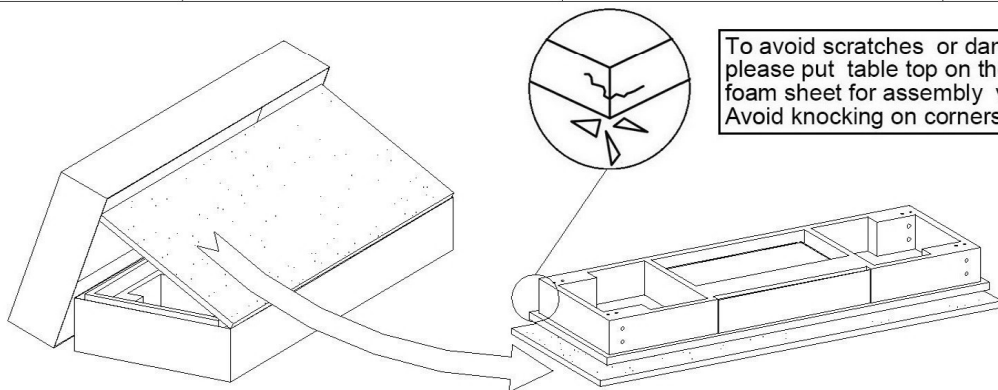
C-16x



D-1x

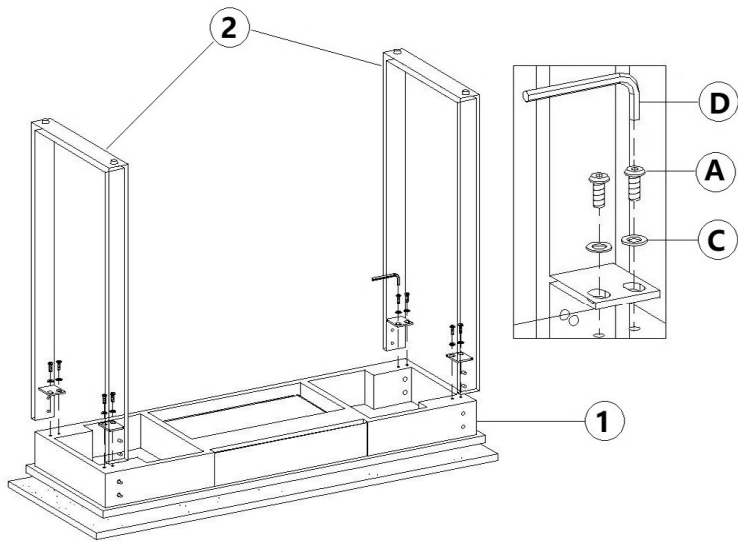


Step:1



To avoid scratches or damages, please put table top on the white foam sheet for assembly works. Avoid knocking on corners or edges.

Step:2



Step:3

Please keep all screws loose and tighten TOGETHER after all parts are assembled to the correct positions.

