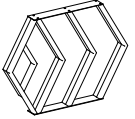
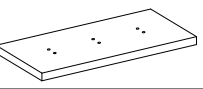
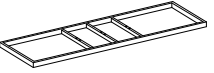
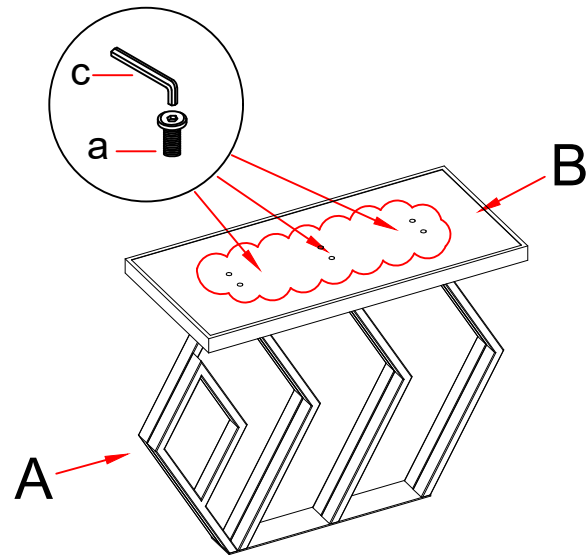


ASSEMBLY INSTRUCTIONS

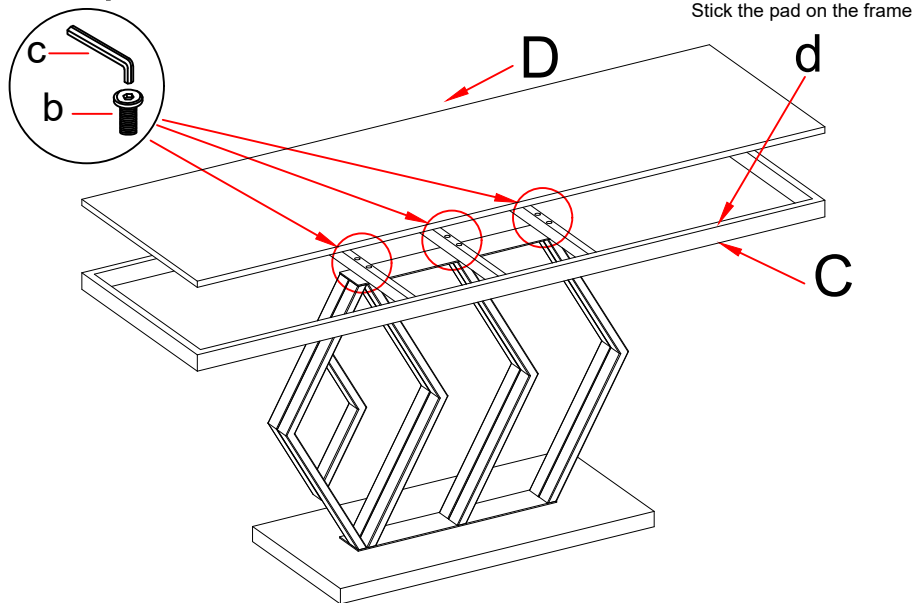
List of parts

| NO. | Description | Pcs |
|-----|---|-----|
| A |  | 1 |
| B |  | 1 |
| C |  | 1 |
| D |  | 1 |



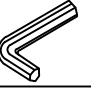

step 1



step 2



List of hardware

| NO. | Description | Qty |
|-----|---|-----|
| a |  M8*20 | 6 |
| b |  M8*45 | 6 |
| c |  | 1 |
| d |  | 6 |

