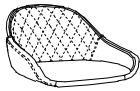

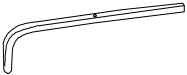



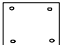

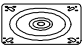


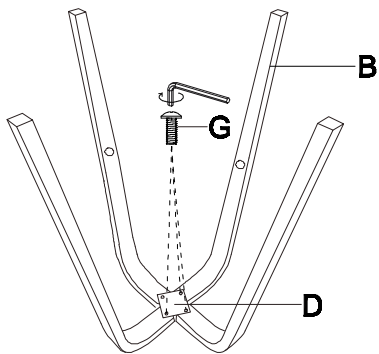


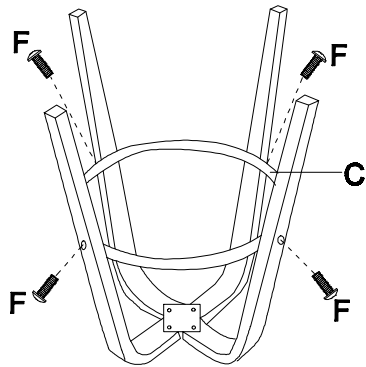
Assembly Instruction

A*1		F*4+1EXT	 M6*25MM
B*4		G*10+1EXT	 M6*20MM
C*1		H*2+1EXT	 M6*16MM
D*1		I*2	
E*1		J*4	
		K*1	 M6

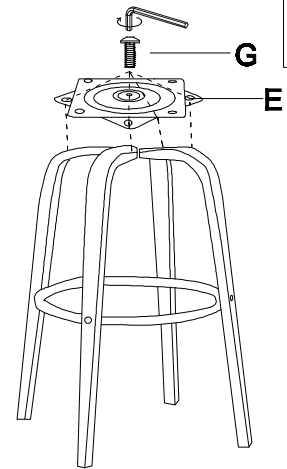
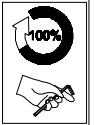
STEP 1



STEP 2

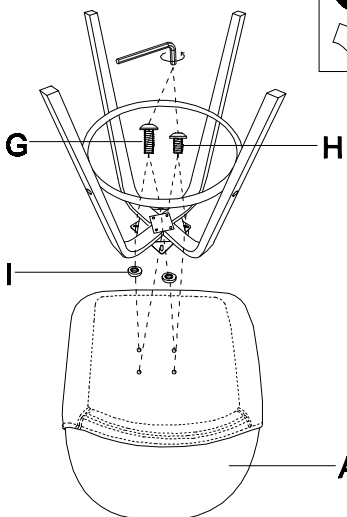


STEP 3

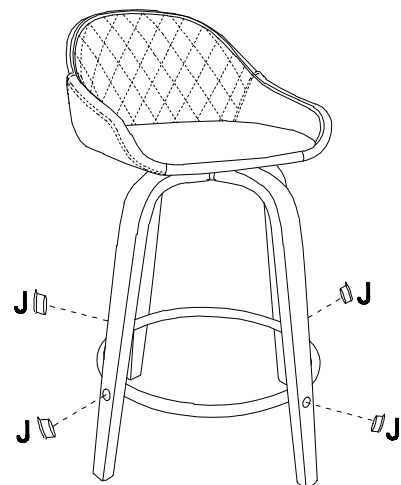


Fasten All screws indicate on Step 1 & Step 2.

STEP 4



STEP 5



STEP 6

