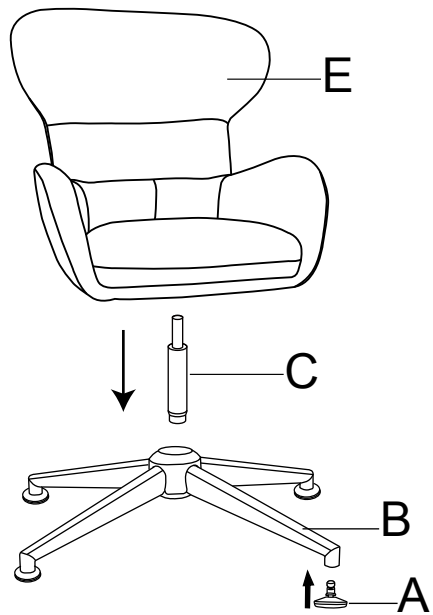
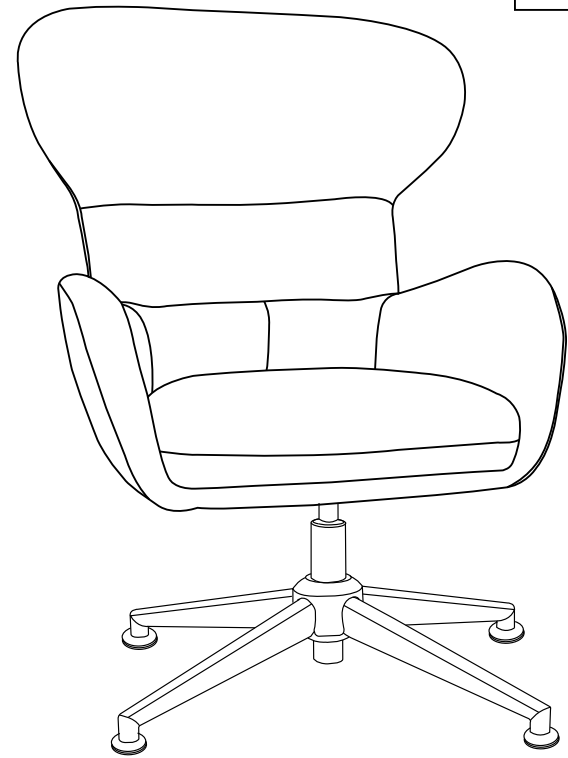
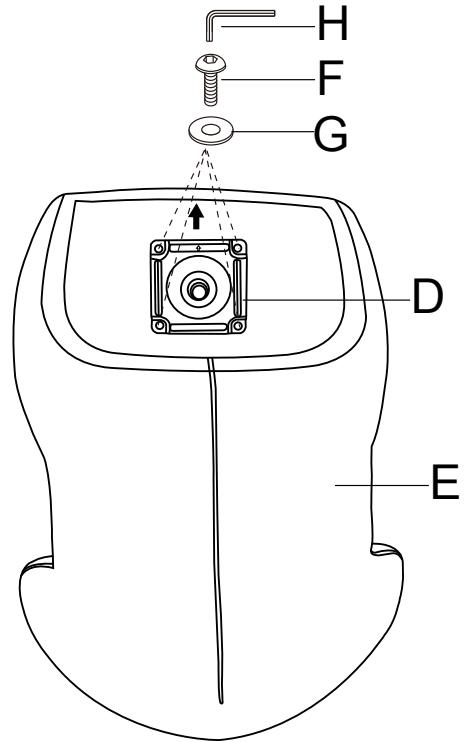
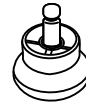


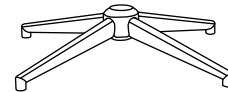
# FS52-1



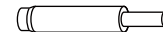
A x5



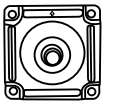
B x1



C x1



D x1



E x1



F x4



G x4



H x1

