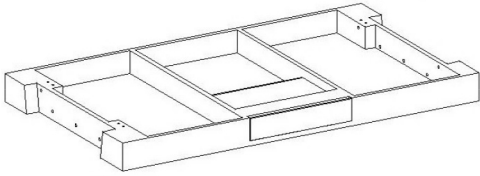


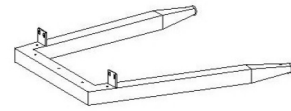
ASSEMBLY INSTRUCTION

QJ-330-DT

1-1x



2-2x



A-8x



B-6x



C-4x



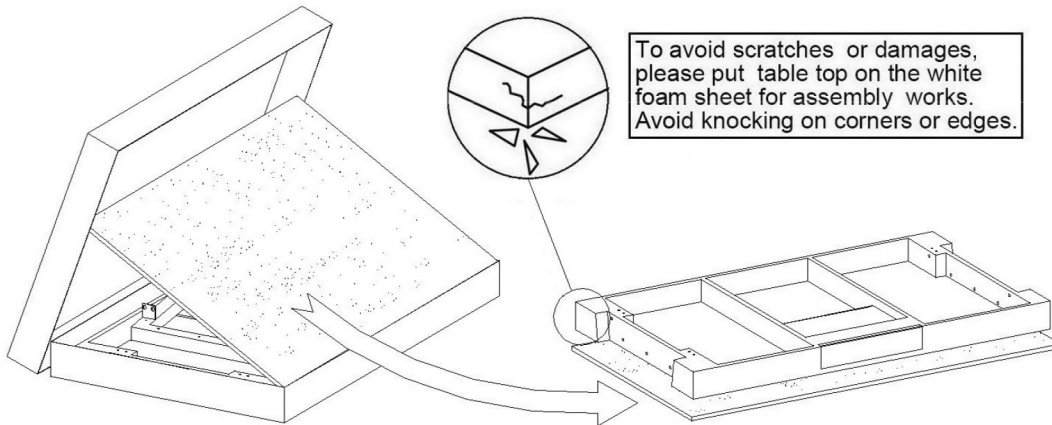
D-18x



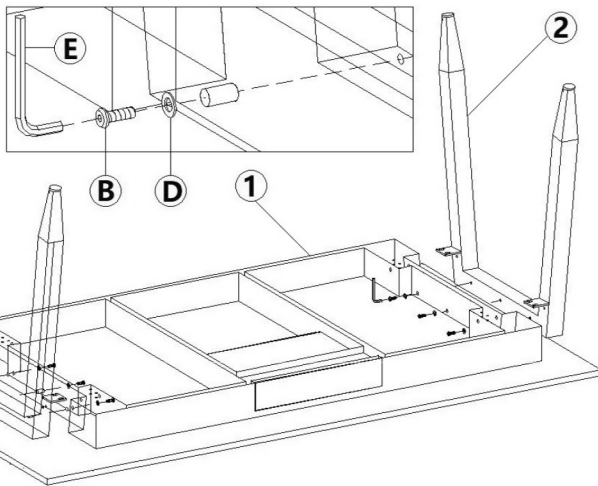
E-1x



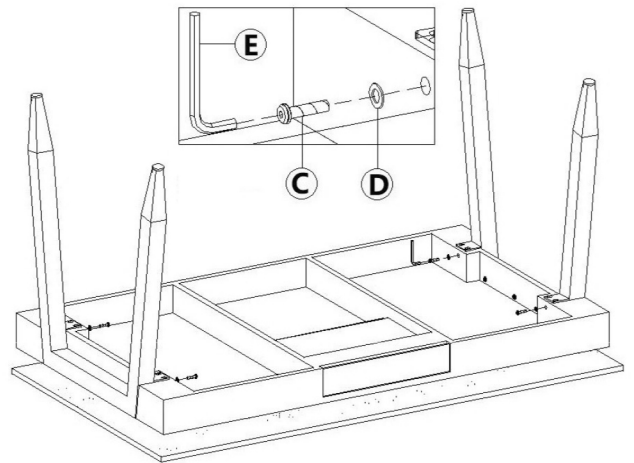
Step:1



Step:2



Step:3



Step:4

Please keep all screws loose and tighten TOGETHER after all parts are assembled to the correct positions.

